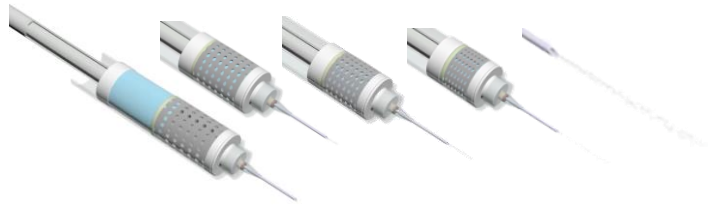
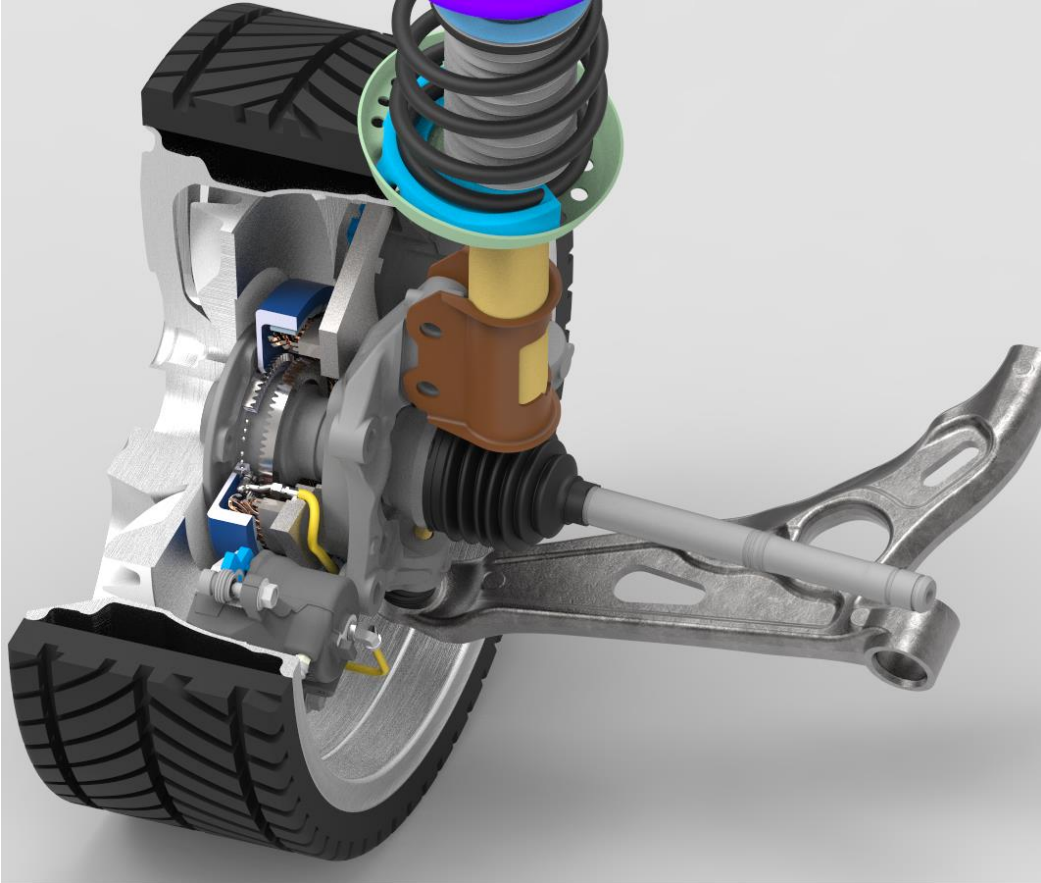


Mastering the art of design rendering and animation is invaluable for distilling complex analyses into visually compelling presentations that effectively communicate key results to clients.



Animation with droplet atomization using 3DS MAX, for example shows how the product is packaged and used during delivery

In this PLASMA air purification device, I am showing how the electrodes – air interact, onto which chemical reactions can be easily labeled.



3d rendering to showcase wheel end innovation concept